

A single lift cylinder
for easy servicing

Enclosed fork tips

Fast lift as standard
(up to 120 kg)



AMX 10/10e

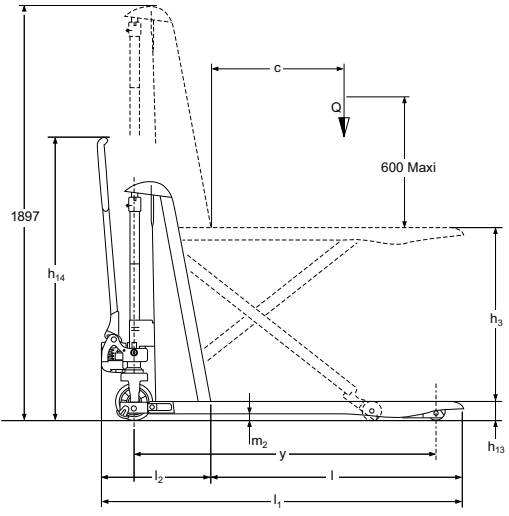
Scissor lift hand pallet truck (1,000 kg)

The truck can be used as a hand pallet truck as well as a lift table, supply table and workbench.

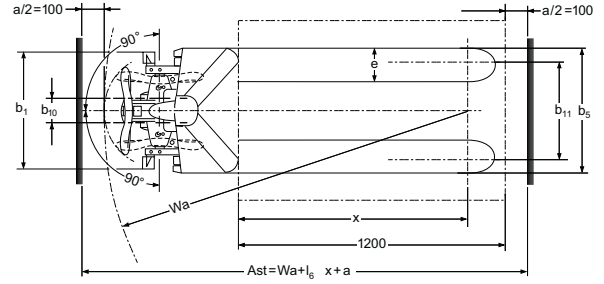
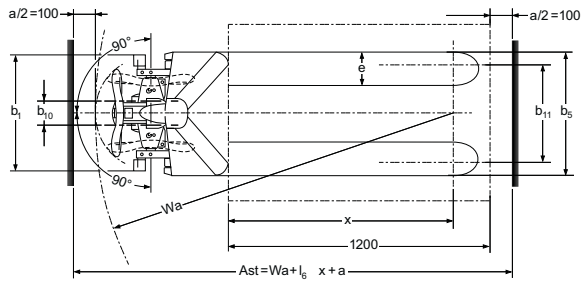
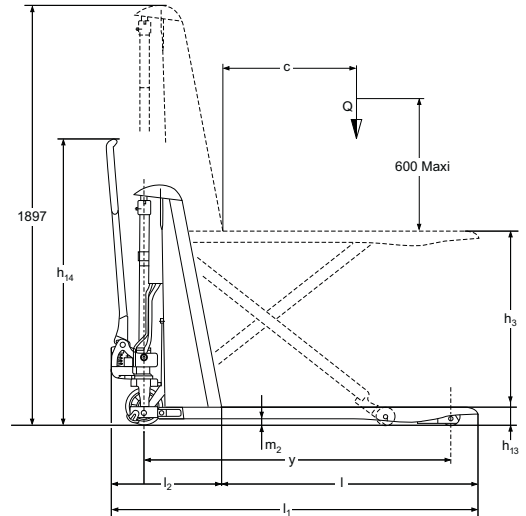
- Steering wheels: Ø 170 mm with a choice of nylon, rubber or polyurethane tyres.
- Load rollers: Ø 82 mm with a choice of nylon or polyurethane tyres.
- Lift height: Up to 800 mm, with additional support legs for stability.
- Lifting and lowering: Manual or electro-hydraulic with 0.5 kW lift motor.
- Forks: Robust, torsion-resistant construction with closed fork tips.
- Battery (only for AMX 10e): 70 Ah C5, maintenance-free.
- AMX 10 with manual hydraulics: The load can be brought to the optimum work height with just a few movements of the tiller. Beyond a certain fork height, the scissor lift hand pallet truck is secured by additional support legs.
- AMX 10e with electro-hydraulics: Scissor lift hand pallet trucks are recommended for frequently changing work heights. The work height can be easily adjusted at the touch of a button.

AMX 10/10e

AMX 10



AMX 10e



Technical data in line with VDI 2198

				Jungheinrich		
Identification	1.1	Manufacturer (short form)		AMX 10		
	1.2	Model		AMX 10e		
	1.3	Drive		manual	Electrics	
	1.4	Manual, pedestrian, stand-on, seated, order picker operation		hand	hand ²⁾	
	1.5	Load capacity/rated load	Q	t	1	
	1.6	Load centre distance	c	mm	600	
	1.8	Load distance	x	mm	1030	
	1.9	Wheelbase	y	mm	1383	
	Weights	2.1	Service weight		157	
2.2		Axle load, w. load, front / rear		406 / 751		
2.3		Axle load, w.o. load, front / rear		101 / 56		
Wheels / chassis	3.1	Tyres		N;C;V		
	3.2	Tyre size, at front		Ø 170 x 50		
	3.3	Tyre size, at rear		Ø 82 x 62		
	3.4	Additional wheels (dimensions)		Ø 82 x 62 ³⁾		
	3.5	Wheels, number front/rear (x = driven wheels)		2/2		
	3.6	Track width, front	b ₁₀	mm	109	
	3.7	Track width, rear	b ₁₁	mm	440	
Basic dimensions	4.4	Lift		h ₃ mm		
	4.5	Extended mast height		h ₄ mm		
	4.9	Height of tiller in drive position min. / max.		h ₁₄ mm		
	4.15	Lowered height		h ₁₃ mm		
	4.19	Overall length		l ₁ mm		
	4.20	Length incl. back of forks		l ₂ mm		
	4.21	Total width		b ₁ /b ₂ mm		
	4.22	Fork dimensions		s/e/l mm		
	4.25	Width over forks		b ₅ mm		
	4.32	Floor clearance centre wheelbase		m ₂ mm		
	4.34	Aisle width for pallets 800 x 1200 lengthways		Ast mm		
4.35	Turning radius		W _a mm			
Performance data	5.2	Lift speed, w. / w.o. load		m/s		
	5.3	Lower speed, w. / w.o. load		m/s		
Electrics	6.2	Lift motor rating at S3 15%		kW		
	6.3	Battery according to DIN 43531/35/36 A,B,C, no		maintenance-free ⁴⁾		
	6.4	Battery voltage/nominal capacity K5		V/Ah		
	6.5	Battery weight		kg		

¹⁾ 680 mm also possible

²⁾ Electric and manual lift

³⁾ Lateral support rollers

⁴⁾ On-board charger

Benefit from the advantages



Easy handling

The easy-to-use controls are equally suitable for both left and right-handed operators. The special lowering valve enables loads to be lowered precisely or in small increments.

Adjustable lift height reduces strain on the back

Jobs which involve a great deal of bending and heavy lifting can soon have a detrimental effect on health. The work height of the AMX 10 / AMX 10e can be

varied by a height of up to 800 mm. This ensures back strain is reduced during operation. The scissor lift hand pallet truck can also be equipped with lateral support rollers, so that travel is also possible in the raised position.

Effortless lifting and lowering

Lifting can be by either manual hydraulic lift (AMX 10) or electro-hydraulic lift (AMX 10e) with a 0.5 kW lift motor. The pump unit has an integrated reservoir. The lowering valve integrated in the pump

unit facilitates precise lowering via hand lever. The hydraulic system is protected against overloading by a pressure relief valve.

Battery and charger (AMX 10e)

A built-in electronic charger is fitted as standard. The maintenance-free battery (70 Ah) can be charged at any standard 240-V socket. The charger automatically switches off when the charging process is completed.

良友貨架叉車有限公司
香港九龍荔枝角長沙灣道883號
億利工業中心11樓1103室

Mechanical And Transportation Equipment Ltd.
Unit 1103, 11/F Elite Industrial Centre,
883 Cheung Sha Wan Road, Lai Chi Kok
Kowloon, Hong Kong.

Tel : (852) 2744 3535
Fax : (852) 2744 3773
Email : info@matehk.com.hk
Website : <https://www.matehk.com.hk>

The German production facilities in Norderstedt and Moosburg are certified. **ISO 9001**
ISO 14001

Jungheinrich fork lift trucks meet European safety requirements.



JUNGHEINRICH
Machines. Ideas. Solutions.