

Precise weighing technology for warehouses, manufacturing and shipping

4 evenly positioned weighing cells provide the technology for accurate weighing of materials

Wide variations for almost every weighing application

Left and right-hand controls



AMW 22/22p

Hand pallet truck with weighing system (2,200 kg)

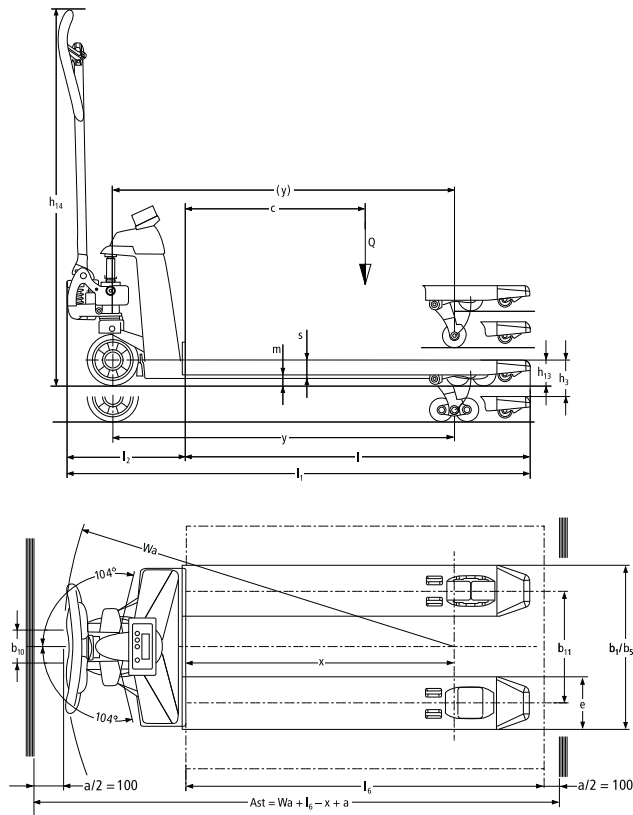
The AMW 22 and AMW 22p hand pallet trucks are mobile weighing systems for warehouses, manufacturing and shipping applications. Wherever goods need to be weighed and transported, their ability to take the 'scales to the goods' makes these trucks the perfect solution. For example, the basic AMW 22 model is

appropriate for any area of application, offering efficient and precise weighing with its 4 weighing cell technology. A 1 kg incremental display and max. 0.1% deviation from the measuring range is the right solution for many applications. The AMW 22p is even more professional. Its wide range of functions makes

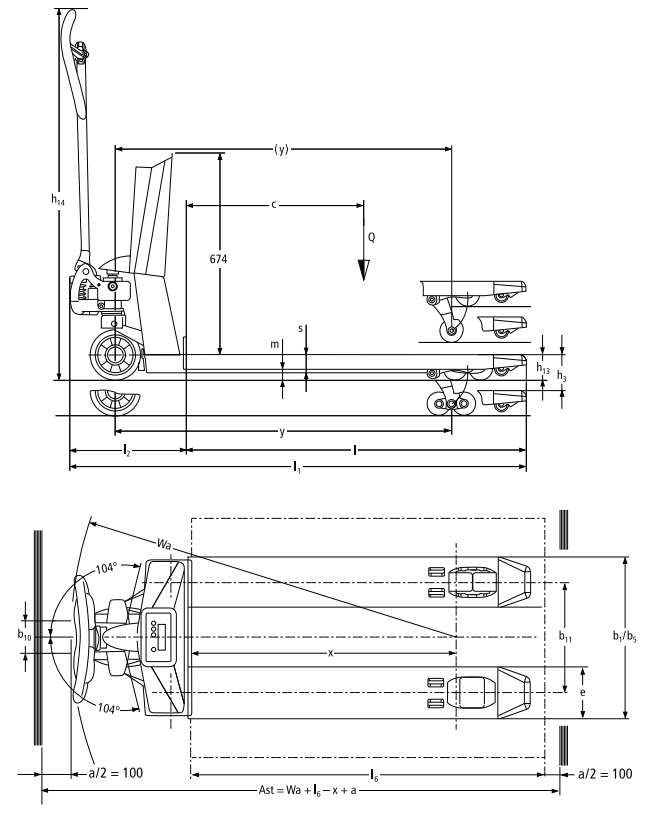
this weighing pallet truck ideal for any application. A comfortable multi-area display, maximum precision (at least 99.9% of the weighed weight), a number of options and the intelligent battery exchange module combine to make the AMW 22p a first-rate truck.

AMW 22/22p

AMW 22



AMW 22p



Technical data in line with VDI 2198

			Jungheinrich	
			AMW 22	AMW 22p
Identification	1.1	Manufacturer (short form)		
	1.2	Model		
	1.3	Drive		manual
	1.4	Manual, pedestrian, stand-on, seated, order picker operation		hand
	1.5	Load capacity/rated load	Q t	2.2
	1.6	Load centre distance	c mm	600
	1.8	Load distance	x mm	890
	1.9	Wheelbase	y mm	1110
	Weights	2.1	Service weight	kg
2.2		Axle load, w. load, front / rear	kg	578 / 1721 ¹⁾
2.3		Axle load, w.o. load, front / rear	kg	61 / 38
Wheels / chassis	3.1	Tyres		C;V
	3.2	Tyre size, at front	mm	Ø 170x50
	3.3	Tyre size, at rear	mm	Ø 82x96 ²⁾
	3.5	Wheels, number front/rear (x = driven wheels)		2/2 or 2/4
	3.6	Track width, front	b ₁₀ mm	109
	3.7	Track width, rear	b ₁₁ mm	370
	Basic dimensions	4.4	Lift	h ₃ mm
4.9		Height of tiller in drive position min. / max.	h ₁₄ mm	1234
4.15		Lowered height	h ₁₃ mm	86
4.19		Overall length	l ₁ mm	1546
4.20		Length incl. back of forks	l ₂ mm	396
4.21		Total width	b ₁ /b ₂ mm	540
4.22		Fork dimensions	s/e/l mm	62 / 170 / 1150
4.25		Width over forks	b ₅ mm	540
4.32		Floor clearance centre wheelbase	m ₂ mm	24
4.33		Aisle width for pallets 1000 x 1200 sideways	Ast mm	1763
4.34		Aisle width for pallets 800 x 1200 lengthways	Ast mm	1813
4.35	Turning radius	W _a mm	1303	
Performance data	5.3	Lower speed, w. / w.o. load	m/s	0.09 / 0.02
Electrics	6.4	Battery voltage/nominal capacity K5	V/Ah	4x 1,5 12 / 1.2

¹⁾ AMW 22p

²⁾ Ø 82x62 mm tandem tyres

Benefit from the advantages



AMW 22 – display/operation



Efficient weighing with the AMW 22



AMW 22p – display/operation



Maximum precision with the AMW 22p

Easy to handle

The operating handle is equally suitable for both left and right handed operators. The special lowering valve allows for loads up to 1000 kg to be lowered particularly sensitively. The standard fast lift (to 120 kg) ensures that Euro pallets are lifted off the floor with only three pump strokes and the maximum lift height is achieved in 5 pump strokes.

Maximum precision

The weighing cells are positioned at the four end points of the forks and ensure extremely precise weight recording up to a slanting position of 2°.

Thoroughly robust

Maximum stability is achieved through the well proven fork construction. Electronics and display are protected against dust and water (protection class IP 65).

Application-specific configuration

Two different models of the pallet truck with weighing device are available to ensure an application-specific, cost-effective solution for every application.

Performance characteristics of the AMW 22:

- 2200 kg weighing capacity.

- Fast lift.
- 1 kg display increments across the entire measuring range up to 2200 kg.
- Maximum 0.1% deviation from measuring range.
- Protected against moisture and dust (IP 65 rating).
- Automatic zero adjustment, also via keypad.
- Taring over the full weighing range.
- Addition memory and number of weighing processes.
- Power supply from 4 x AA / 1.5 volt batteries sufficient for approx. 1700 weighing processes.
- Automatic shutdown if not used for 3 minutes.

Special equipment AMW 22:

- Tandem design.

Performance characteristics of the AMW 22p:

- After confirming the weight, the LC display is automatically adjusted to the lower weight.
- Maximum 0.1% deviation from measured weight.
- Protected against moisture and dust (IP 65 rating).
- Plug-in battery module with 12 V / 1.2 Ah incl. Charger.
- 60 h operating time.

- Automatic switch-off after 30 minutes without activity.

- Automatic multi-range display:

Measuring interval	Measuring range
0.2 kg	up to 200 kg
0.5 kg	up to 500 kg
1.0 kg	up to 2200 kg

Special equipment for the AMW 22p:

- Special functions option
- Unit counting by entering or establishing base unit weight
- Button for optional weight in kg or lbs
- Backlit display
- Date and time
- Battery discharge indicator
- Entry of 5-digit codes
- Calibrated designs grade III (EU registration no. T2782).
- Additional battery change module.
- Integrated printer.
- Special fork dimensions.
- Wheel brake and parking brake, foot brake.
- Anti-static steering wheel.
- Sensitive multi-range display:

Measuring interval	Measuring range
0.1 kg	up to 200 kg
0.2 kg	up to 500 kg
0.5 kg	up to 2200 kg

良友貨架叉車有限公司
香港九龍荔枝角長沙灣道883號
億利工業中心11樓1103室

Mechanical And Transportation Equipment Ltd.
Unit 1103, 11/F Elite Industrial Centre,
883 Cheung Sha Wan Road, Lai Chi Kok
Kowloon, Hong Kong.

Tel : (852) 2744 3535
Fax : (852) 2744 3773
Email : info@matehk.com.hk
Website : https://www.matehk.com.hk

The German production facilities in Norderstedt and Moosburg are certified. ISO 9001 ISO 14001

Jungheinrich fork lift trucks meet European safety requirements.



JUNGHEINRICH
Machines. Ideas. Solutions.