

Versatile: HGV double-deck loading or pallet truck / stacker operation

3-phase AC motor for maximum performance and low energy consumption

ShockProtect to protect the operator, truck and load

Electric tiller for easy steering

Optimum driving characteristics with fixed ProTracLink torsion bar

Fixed operator platform (optional)



ERD 220

Electric pedestrian stacker (2,000 kg)

The ERD 220 electric pedestrian stacker is extremely versatile and powerful when it comes to load handling. A specialist in HGV double-deck loading, it transports loads efficiently over longer distances or stacks/retrieves loads up to 2560 mm high. The design of the truck is very robust: An 8-mm steel chassis and box section forks made of sectional steel allow for heavy-duty applications with heavy loads.

The ERD 220 is also ideal for both pedestrian and ride-on operation. In ride-on mode, the ERD achieves a very high speed of up to 12.5 km/h. This means that goods can be handled or transported efficiently.

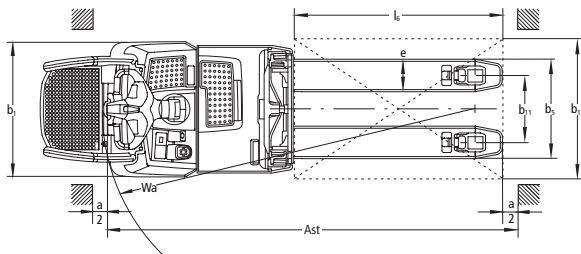
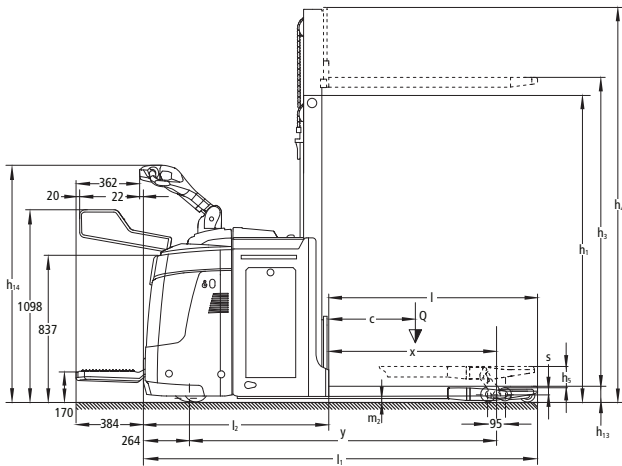
This truck also offers maximum operator safety and operator comfort:

- In addition to the soft suspension of the platform, the entire drive system is cushioned with ShockProtect suspension. The advantage:

- Reduces stress on the operator's spinal column.
 - Considerably less impact on the chassis and all technical components of the ERD 220.
 - Electric steering for fatigue-free travel, even with heavy loads.
 - The maximum speed of the truck is automatically reduced when cornering, depending on the steering angle (Curve Control).
 - A fixed stand-on platform (optional) provides outstanding operator protection with extra-high side components.
- Up to 465 Ah high-performance batteries are available for really demanding applications. Combined with state-of-the-art 3-phase AC technology, this ensures longer operating times with simultaneously minimised power consumption. For multi-shift operations, the ERD 220 is equipped with a lateral battery exchange option. The ERD 220 basic model is available for less demanding applications (no lateral battery exchange).

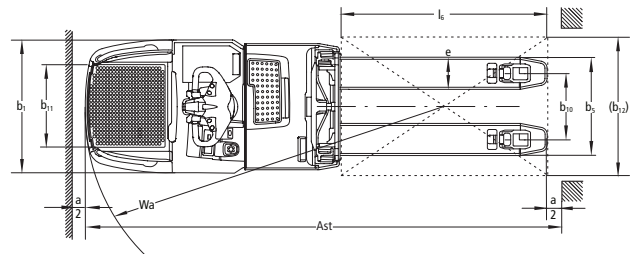
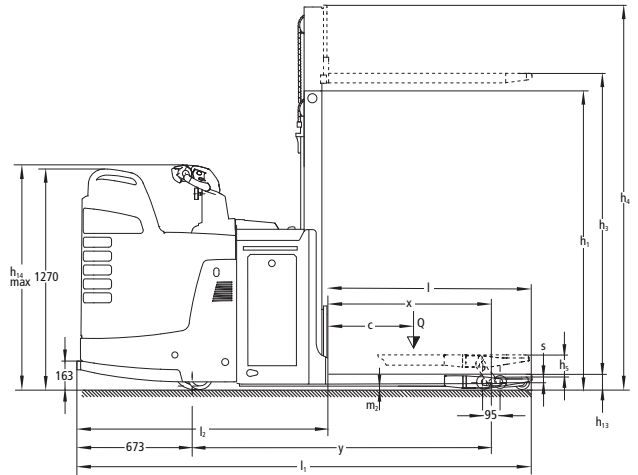
ERD 220

ERD 220



Foldable platform

ERD 220



Fixed platform

| Standard mast types ERD 220 | | | | | | | |
|-----------------------------|-----------------------|--|----------------------------------|--|----------------------------------|---|----------------------------------|
| | Lift h_3 (mm) | Lowered mast height h_1 (mm) | | Free lift h_2 (mm) | | Extended mast height ¹⁾ h_4 (mm) | |
| | | ERD 220 basic model / basic model Fast | ERD 220 Fold up / Fixed Platform | ERD 220 basic model / basic model Fast | ERD 220 Fold up / Fixed Platform | ERD 220 basic model / basic model Fast | ERD 220 Fold up / Fixed Platform |
| Duplex ZT | 1660 | 1350 | 1350 | 100 | 100 | 2150 | 2150 |
| | 2010 | 1530 | 1530 | 100 | 100 | 2500 | 2500 |
| | 2560 | - | 1810 | - | 100 | - | 3050 |
| Duplex ZZ | 2500 | - | 1700 | - | 1130 | - | 3070 |
| Triplex DT | 2500 | - | 1366 | - | 100 | - | 2990 |

¹⁾including basic lift + 122 mm

Technical data in line with VDI 2198

| | | | | Jungheinrich | | | | | |
|------------------|---|--|-----------------|---------------------------------------|-------------------------|------------------------|--|---------------------|-------|
| | | | | ERD 220 | | | | | |
| | | | | Basic model, folding plat- form | Foldable platform | fixed plat- form | Basic model Fast, fixed platform | | |
| Identification | 1.1 | Manufacturer (abbreviation) | | | | | | | |
| | 1.2 | Model | | | | | | | |
| | 1.3 | Drive | | Electric | | | | | |
| | 1.4 | Manual, pedestrian, stand-on, seated, order picker operation | | stand-on/ pedestrian | stand-on/ pedestrian | stand-on | stand-on | | |
| | 1.5 | Load capacity/rated load | Q | t | 2 | | | | |
| | 1.5.1 | Load capacity/mast lift | Q | t | 1 | | | | |
| | 1.5.2 | Load capacity/support arm lift | Q | t | 2 | | | | |
| | 1.6 | Load centre distance | c | mm | 600 | | | | |
| | 1.8 | Load distance | x | mm | 957 ⁶⁾ | | | | |
| 1.9 | Wheelbase | y | mm | 1,749 ⁶⁾ | 1,677 ⁶⁾ | 1,677 ⁶⁾ | 1,749 ⁶⁾ | | |
| Weights | 2.1.1 | Net weight incl. battery (see row 6.5) | | kg | 1,186 | 1,110 | 1,168 | 1,228 | |
| | 2.2 | Axle load with load front/rear | | kg | 1,958 / 1,228 | 1,920 / 1,190 | 1,920 / 1,248 | 1,960 / 1,268 | |
| | 2.3 | Axle load without load front/rear | | kg | 348 / 838 | 310 / 800 | 310 / 858 | 350 / 878 | |
| Wheels / frame | 3.1 | Tyres | | Vulkollan | | | | | |
| | 3.2 | Tyre size, front | | mm | Ø 230 x 77 | | | | |
| | 3.3 | Tyre size, rear | | mm | Ø 85 x 95 / Ø 85 x 75 | | | | |
| | 3.4 | Additional wheels (dimensions) | | mm | Ø 140 x 50 | | | | |
| | 3.5 | Wheels, number front/rear (x = driven wheels) | | | 1x +2/2 or 4 | | | | |
| | 3.6 | Tread width, front | b ₁₀ | mm | 512 | | | | |
| | 3.7 | Tread width, rear | b ₁₁ | mm | 385 | | | | |
| Basic dimensions | 4.2 | Mast height (lowered) | | h ₁ | mm | 1,350 | | | |
| | 4.4 | Lift | | h ₃ | mm | 1,660 | | | |
| | 4.5 | Extended mast height | | h ₄ | mm | 2,150 | | | |
| | 4.6 | Initial lift | | h ₅ | mm | 122 | | | |
| | 4.9 | Height of tiller in drive position min. / max. | | h ₁₄ | mm | 1,158 / 1,414 | | | |
| | 4.15 | Height, lowered | | h ₁₅ | mm | 90 | | | |
| | 4.19 | Overall length | | l ₁ | mm | 2,246 | 2,174 ²⁾ | 2,584 ²⁾ | 2,656 |
| | 4.20 | Length to face of forks | | l ₂ | mm | 1,056 | 984 ²⁾ | 1,394 ²⁾ | 1,466 |
| | 4.21 | Overall width | | b ₁ /b ₂ | mm | 770 | | | |
| | 4.22 | Fork dimensions | | s/e/l | mm | 56 / 185 / 1,190 | | | |
| | 4.25 | Width across forks | | b ₅ | mm | 570 | | | |
| | 4.32 | Ground clearance, centre of wheelbase | | m ₂ | mm | 20 | | | |
| 4.33 | Aisle width for pallets 1000 x 1200 sideways | | Ast | mm | 2,455 ⁵⁾ | 2,383 ⁵⁾ | 2,831 ⁵⁾ | 2,903 ⁵⁾ | |
| 4.34 | Aisle width for pallets 800 x 1200 lengthways | | Ast | mm | 2,465 ⁴⁾ | 2,393 ⁴⁾ | 2,841 ⁴⁾ | 2,913 ⁴⁾ | |
| 4.35 | Turning radius | | W _a | mm | 2,022 ⁶⁾ | 1,950 ⁶⁾ | 2,398 ⁶⁾ | 2,470 ⁶⁾ | |
| Performance data | 5.1 | Travel speed, laden/unladen | | km/h | 7.2 / 8.2 | 9.5 / 12.5 | 9.5 / 12.5 | 9.5 / 12.5 | |
| | 5.2 | Lift speed, laden/unladen | | m/s | 0.13 / 0.22 | 0.14 / 0.24 | 0.14 / 0.24 | 0.14 / 0.24 | |
| | 5.3 | Lowering speed, laden/unladen | | m/s | 0.25 / 0.21 | 0.27 / 0.25 | 0.27 / 0.25 | 0.27 / 0.25 | |
| | 5.8 | Max. gradeability, laden/unladen | | % | 8 / 15 | 8 / 16 | 8 / 16 | 8 / 16 | |
| | 5.10 | Service brake | | | regenerative | | | | |
| Electrics | 6.1 | Drive motor, output S2 60 min. | | kW | 2.8 | | | | |
| | 6.2 | Lift motor kW rating at S3 7% | | kW | 2.0 | 0.0 | 0.0 | 0.0 | |
| | 6.2 | Lift motor, output at S3 (on time) 12 % | | kW | 0 | 2 | 2 | 2 | |
| | 6.3 | Battery as per DIN 43531 / 35/36 A, B, C, no | | | B 43535 | | | | |
| | 6.4 | Battery voltage/nominal capacity K5 | | V/Ah | 24 / 375 | 24 / 250 ³⁾ | 24 / 250 ³⁾ | 24 / 375 | |
| | 6.5 | Battery weight | | kg | 288 | 220 ¹⁾ | 220 ¹⁾ | 288 | |
| | 6.6 | Energy consumption according to VDI cycle | | kWh/h | 0.51 | 0.67 | 0.67 | 0.67 | |
| | 6.7 | Throughput | | t/h | 0 | 94 | 94 | 94 | |
| 6.8 | Energy consumption at max. throughput | | kWh/h | 0 | 0.61 | 0.61 | 0.61 | | |
| Misc. | 8.1 | Type of drive control | | | AC SpeedControl | | | | |
| | 8.4 | Sound pressure level at operator's ear as per EN 12053 | | dB (A) | 63 | 67 | 67 | 67 | |

¹⁾ 375 Ah = 288 kg, 465 Ah = 368 kg

²⁾ Battery compartment L + 27 mm / L high + 72 mm

³⁾ Battery compartment L = 375 Ah, L high = 465 Ah

⁴⁾ Diagonal in accordance with VDI: + 225 mm

⁵⁾ Diagonal in accordance with VDI: + 369 mm

⁶⁾ Load section lowered: + 48 mm

Benefit from the advantages



Fixed operator platform for maximum driver safety



Precise operation with the pallet stop



Flexible and safe operation

Dynamic and efficient travel

The 3-phase AC drive technology and control electronics (SpeedControl) guarantee dynamic and energy-saving handling which can be tailored to the requirements of any application:

- Powerful 2.8-kW drive motor with 3-phase AC controller.
- Jungheinrich SpeedControl – roll-back protection on gradients.
- Individually adjustable drive parameters enable the truck to be tailored to individual requirements (optional).
- Energy recovery through regenerative braking on deceleration.

Outstanding handling and lift performance

- Jungheinrich ShockProtect: Protection for the operator, truck and load through additional drive suspension. The suspension cushions the operator and frame against harder impacts.
- Sprung and cushioned support wheels – linked via the ProTraLink torsion bar – ensure safe handling under all driving conditions.
- Controlled hydraulics (optional) for gentle depositing of the load and for precise pallet positioning in the racking.

Flexible and safe operation

- Depending on the application, it can be used in ride-on or pedestrian mode by folding the platform out or in. The travel speed is automatically reduced when in pedestrian mode.
- A fixed platform with an enclosed operator position is available (optional) where more stringent safety requirements are in place.
- In double-deck operation, two pallets each weighing 1000 kg can be transported on top of each other at a maximum speed of 8 km/h (ERD 220 entry model: 5 km/h).

Information at all times

Comprehensive control instrumentation gives the operator information at a glance at all times:

- CanDis information display (optional) with hour-meter and service code storage.
- Activation of truck via PIN and automatic shutdown with CanCode (optional).

Outstanding ergonomics

The moisture-proof tiller arm has rocker switches on both sides and a clear red/green colour code to match the ergonomic requirements of the operator. The ERD 220 also has the following features:

- Fatigue-free electric steering.

- Height-adjustable tiller arm on fixed platform (optional).
- Additional pallet stop on chassis ensures precise positioning of two pallets stacked on top of each other.
- Detachable storage compartment on battery lid.

Long operating times

Large battery capacities ensure long operating times.

- Battery compartment M: 3 PzS 250 Ah
- Battery compartment L: 3 PzS 375 Ah
- Battery compartment L high: 3 PzS 465 Ah
- Side battery removal option for multi-shift environments
- Built-in charger (24 V/30 A for wet cell batteries and maintenance-free batteries) for easy charging at any mains socket (optional).

Optional equipment

- Load backrest.
- Lowering speed reduction for pallet lowering.
- Cold store version.
- Entry skids for lifting perimeter based pallets.
- High-performance lift.
- Slow travel with lowered forks (fork wear reduction)
- ERD 220 entry model with reduced performance levels.

良友貨架叉車有限公司
香港九龍荔枝角長沙灣道883號
億利工業中心11樓1103室

Mechanical And Transportation Equipment Ltd.
Unit 1103, 11/F Elite Industrial Centre,
883 Cheung Sha Wan Road, Lai Chi Kok
Kowloon, Hong Kong.

Tel : (852) 2744 3535
Fax : (852) 2744 3773
Email : info@matehk.com.hk
Website : http://www.matehk.com.hk

The German production facilities in Norderstedt, Moosburg and Landsberg are certified. **ISO 9001**
ISO 14001

Jungheinrich fork lift trucks meet European safety requirements.



JUNGHEINRICH
Machines. Ideas. Solutions.